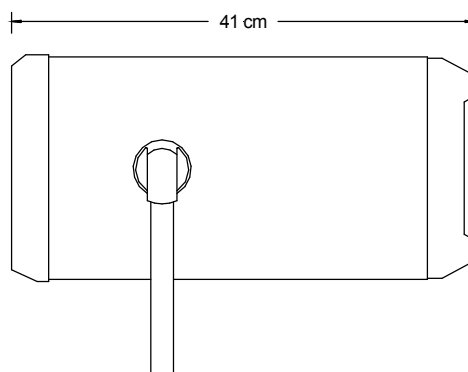
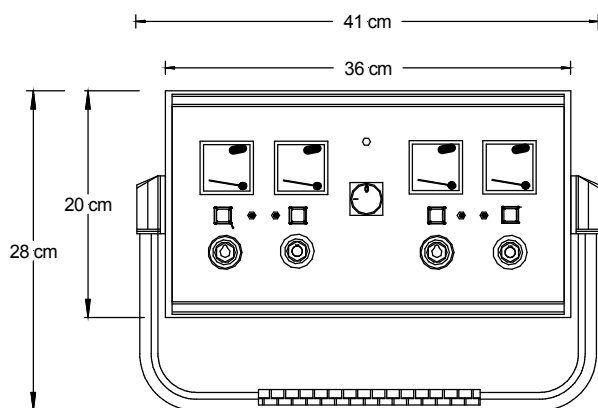




TS2X020 Dual Channel Portable Battery Charger Technical Specifications



Battery Range:

- 12V or 24V vented lead acid batteries

Charge Voltage:

- 2 channels at 14V or 28V (auto sensing) with internal trim controls
- 14.4V or 28.8V in boost mode

Charge Current:

- Up to 40A at 12V
- Up to 20A at 24V

Controls and metering:

- Stop and Start buttons for each channel
- Analogue voltage and current indication for each channel

Maintenance:

- Field calibration possible, no need to return unit for calibration

Power Input:

- 80 VAC to 264 VAC
- 120 to 370 VDC
- 47 - 440 Hz
- 1200W Max

Enclosure:

- Aluminium extrusions
- Hard anodised swining carry handle

Charge Modes:

- Constant Voltage
- Boost function

Channels:

- Dual independent channels
- Charge two different batteries simultaneously

Weight:

- 12Kg (26Lbs)

Dimensions:

- 41 x 41 x 28 cm (16.1 x 16.1 x 11 inch)

To discuss your battery charging and testing requirements, and to discover how a standard or bespoke Intelligent Charging solution would help your operations, contact:

E: sales@intelligent-charging.com
T: +44 (0)1603 722 770
F: +44 (0)1603 722 771
W: www.intelligent-charging.com
A: Intelligent Charging Limited
Ford House, Dewing Road
Rackheath Industrial Estate
Norwich, Norfolk, NR3 6PS
United Kingdom